

# VESA Float Document Holder

## Keep documents inline and save space

The OPC VESA Float Document Holders has been designed to be attached an existing monitor on a monitor arm via the VESA fitting.



*Front view*



*Side view*

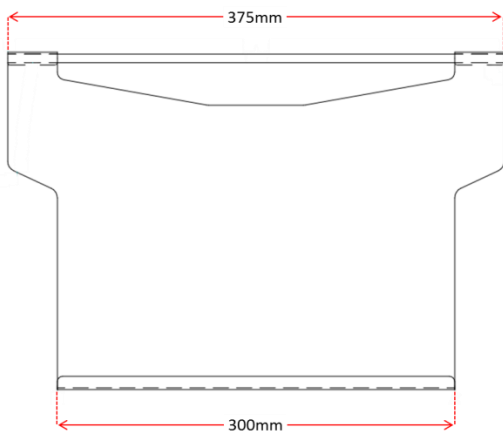
## Keep documents inline

The height and angle of the document plate are adjustable to suit individual requirements.

By attaching to the VESA fitting, the VESA Float moves when the monitor does, ensuring that documents, tablets and smart phones remain within the same line as the monitor and are ideally positioned.

## Product Code

OPCVFD



## Save space

Floating below the monitor saves valuable desk space.

The ledge that runs along the bottom can support documents, smart phones or tablets.